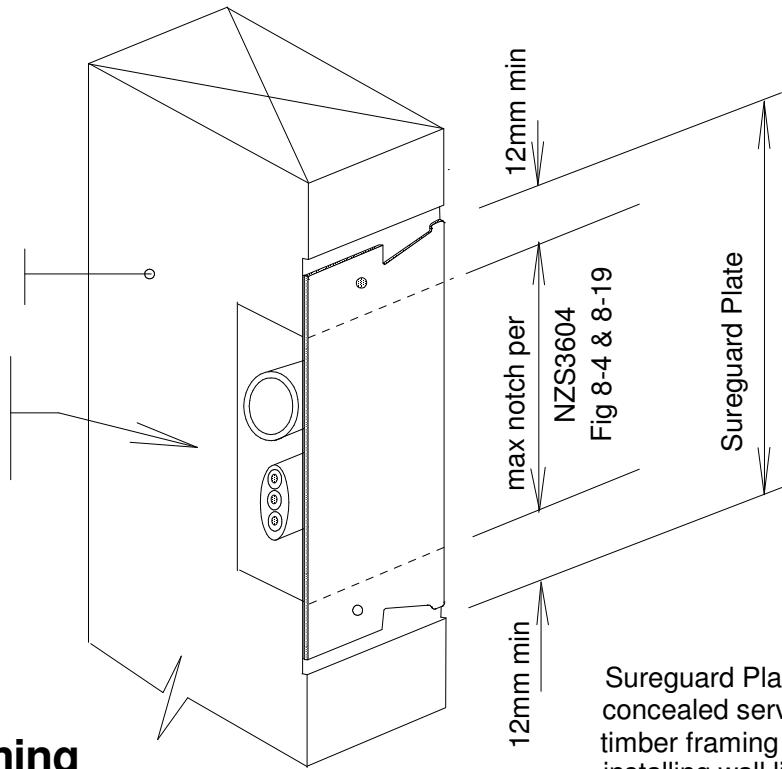


Timber Framing

Concealed services  
eg electrical wiring  
water & gas piping etc

Note: max notch depth  
per NZS3604  
Figure 8-4 & 8-19

**A) Check in framing**  
45W SureGuard Plate



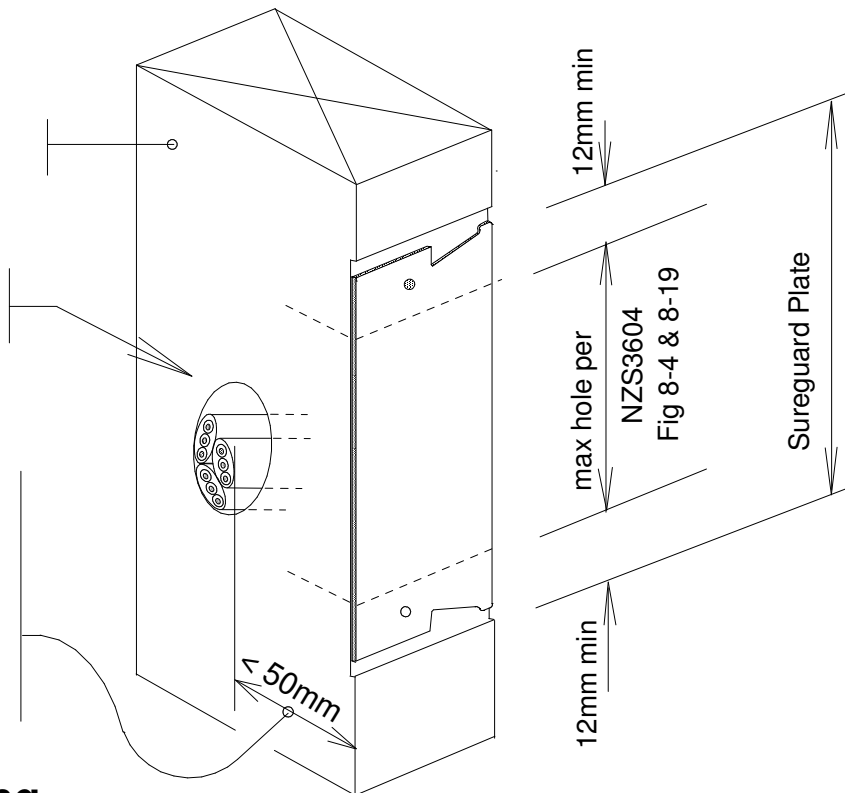
Sureguard Plates over  
concealed services in  
timber framing prior to  
installing wall lining  
(Refer [www.sureguard.co.nz](http://www.sureguard.co.nz))

Timber Framing

Concealed  
wiring systems

Where less than 50mm  
use SureGuard plates for  
compliance with  
NZS 3000 ~ Electrical Installations  
Clause 3-9-4-2 (a) and  
Clause 3-9-4-3-2 and  
Clause 3-9-4-4 (a)

**B) Hole in framing**  
45W SureGuard Plate



**FIGURE SG2 ~ STUDS**  
**SERVICE GUARD DETAIL**

NOTE :-

- 1) Service Contractors are to refer to their respective codes & regulations for Services layouts, runs and compatibility of Service Types & materials
- 2) Refer NZS3604:2011 Fig 8-4 & 8-19 for maximum notch & hole sizes in timber framing
- 3) Rebate SureGuard Plates to finish flush with outside of timber framing for true alignment of covering linings
- 4) Substitute Products are NOT permitted. SureGuard Plates have a Registered Patent.